

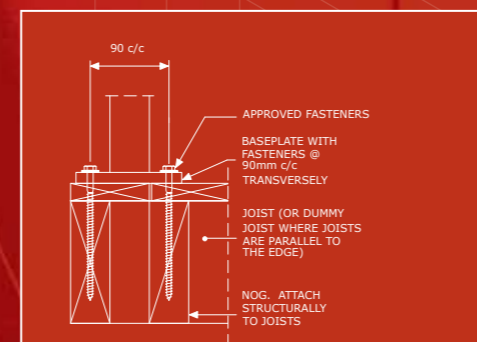


BALUSTRADES

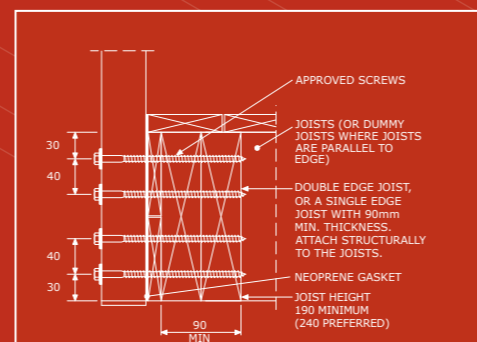
INTEGRATING FUNCTION WITH STYLE



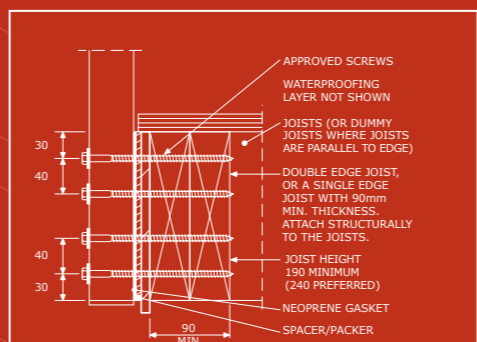
TYPICAL BALUSTRADE FIXING DETAILS



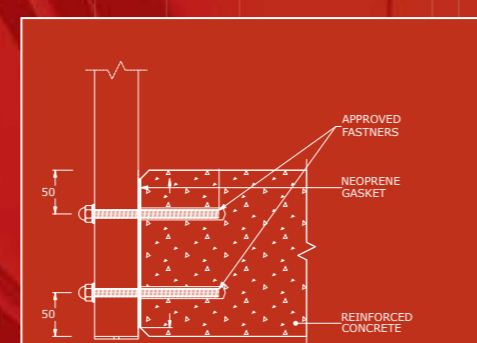
Top-mounted to open timber framed deck



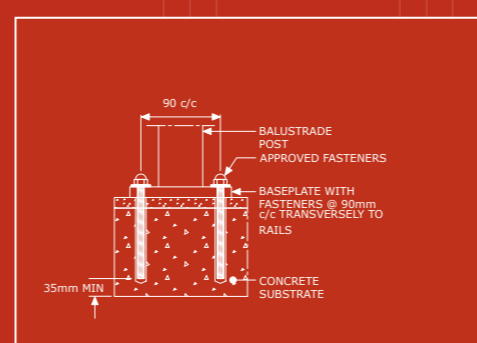
Side-mounted to open timber framed deck



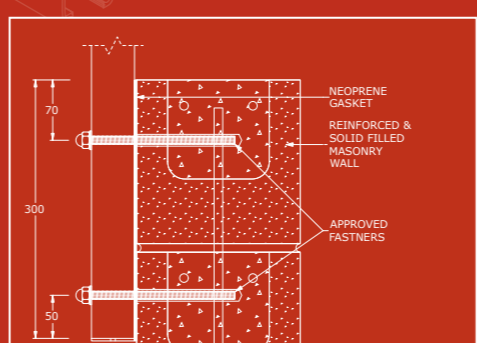
Side-mounted to sealed timber framed deck



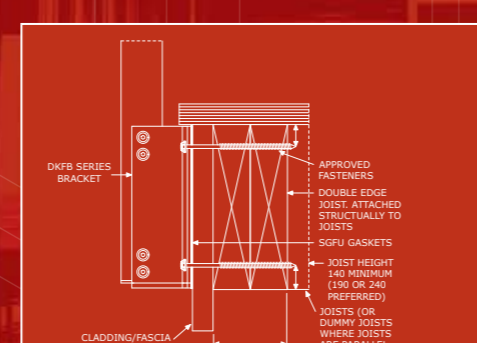
Side-mounted to concrete slab



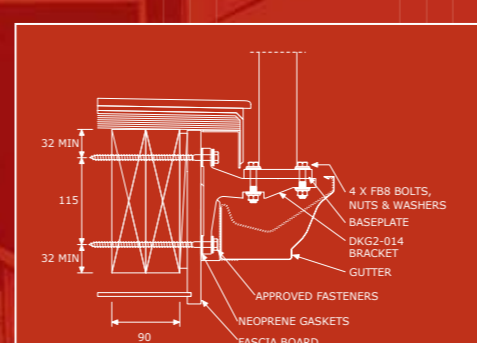
Top-mounted to concrete slab



Side-mounted to concrete masonry walls



Side-mounted to timber with proprietary #DKF brackets



Side-mounted to timber with proprietary #DKG2 gutter brackets

Alternative fixing details are available. Please consult with Unex Systems.



Contact
Unex Systems
or your local
Fabricator today
to discuss your
balustrade
requirements

Unex Systems (NZ) Ltd
P O Box 92
Hamilton 3240
New Zealand
p +64 7 850 9464
0800 333 777
f +64 7 850 9465
e info@unex.co.nz
w www.unex.co.nz

Turn page over to view Product Selection



As Unex Systems strives for continual improvement, the contents of this brochure are subject to change without notice at any time. We appreciate your understanding in this regard.

UNEX systems



ECLIPSE VOGUE BALUSTRADES

Exceptional quality and style in a wide range of designs, ECLIPSE VOGUE Balustrades can meet your safety needs while enhancing your home. Custom made to suit virtually any deck shape, including curved, ECLIPSE VOGUE Balustrades provide a durable aluminium solution to meet your requirements.

APPLICATIONS

ECLIPSE VOGUE Balustrades can be used in a wide range of building applications;

- ≡ Residences and Multi-Residential Developments
- ≡ Motels, Hotels, Rest Homes and Hospitals
- ≡ Offices, High-Rise Buildings
- ≡ Municipal Facilities
- ≡ Pool Fences and Gates

ELEGANCE

Designed to appeal, with an emphasis on stylish lines and fine detailing. The choice of discerning home owners.

DURABILITY

Built for durability, ECLIPSE VOGUE Balustrades are constructed from aluminium using stainless steel fasteners and finished with a powdercoated or anodised surface for minimal maintenance.

PRODUCT SELECTION

A wide selection of popular styles are available from a combination of profiles (refer to following pages), or simply contact us to discuss your design preferences.

COLOUR AND FINISHING

Balustrades can be finished with either a powdercoat or anodised coating. A wide range of colours are available to choose from. This can allow the balustrade to compliment the aluminium joinery, blend into the surrounding building elements or stand out as a feature.

SAFETY AND COMPLIANCE

Structurally engineered and tested for superior strength and safety, and incorporating high strength aluminium sections. ECLIPSE VOGUE Balustrades are designed for compliance with the New Zealand Building Code.

ASCOT, WINDSOR + WILTON STYLES

With sleek contemporary lines, ECLIPSE VOGUE will complement your home or building project. The timeless styling suits a wide range of architectural themes. Less apparent technical design innovation offers clean joints, concealed assembly fasteners and rounded edges, concluding an elegant balustrade. The range of styles incorporating a vertical baluster infill, are an economical and aesthetically attractive option.



Ascot



Windsor



Wilton



AVON + CAMDEN

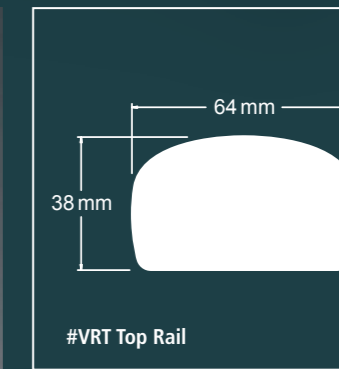
The ECLIPSE VOGUE series offers a range of styles incorporating a glass infill. If the unobtrusive nature of glass is required for a modern architectural theme, or if minimal obstruction of a view from the deck is required – this range of glazed styles are ideal. A choice of top rail shapes are available, to suit individual preferences. See further details of this selection on the following page.



Avon



Camden



#VRT Top Rail

VETRO

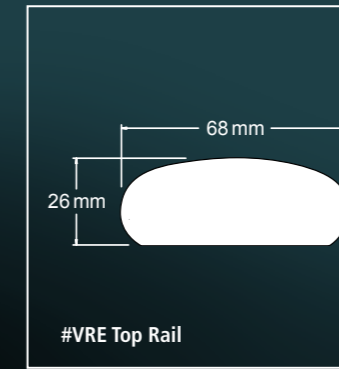
The VETRO style is comprised of posts with glass spanning in between. The glass is supported by glazing recesses in the posts. The crisp clean lines of the exposed top and lower edges of the glass capture the frameless look, but typically Vetro is significantly more economical. The VETRO style is a popular choice for discerning Specifiers.



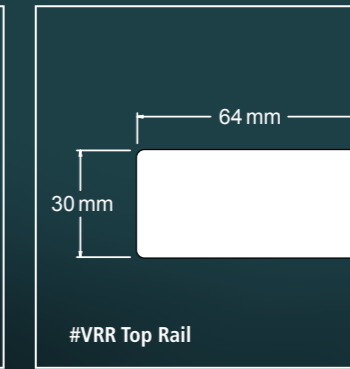
Vetro



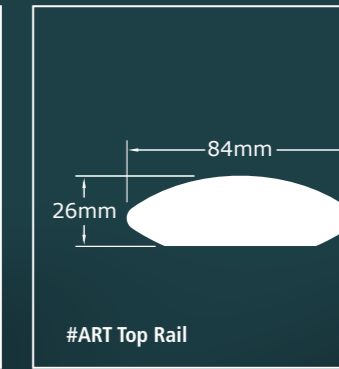
Vetro



#VRE Top Rail



#VRR Top Rail



#ART Top Rail

SPECTRA

SPECTRA is another stylish option, with a top rail, posts and a glass infill spanning between the posts. Like the Vetro style, the glass is supported by glazing recesses in the posts. For the semi-frameless look, but with a comfortable top rail – ‘SPECTRA’ is an attractive option.



Spectra



Spectra



#PDC Cross Motif



#PDR Ring Motif



#PDD Diamond Motif

OTHER OPTIONS + ACCESSORIES

The ECLIPSE VOGUE series offers a range of top rail shapes, post and baluster sizes and decorative motifs, as illustrated to the right. Any combination of these options can be selected to suit the architectural styling of the project, or just purely the individual preferences of the designer. Careful consideration to detail is well rewarded in the finish.

